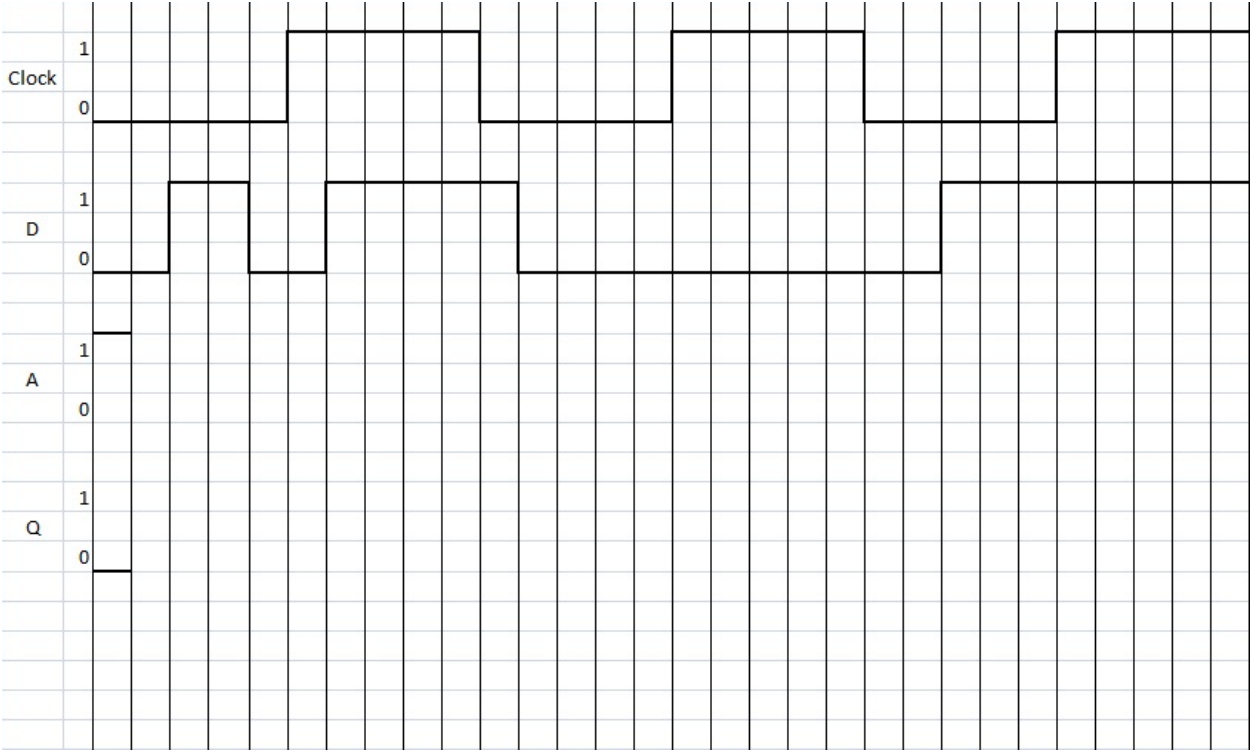
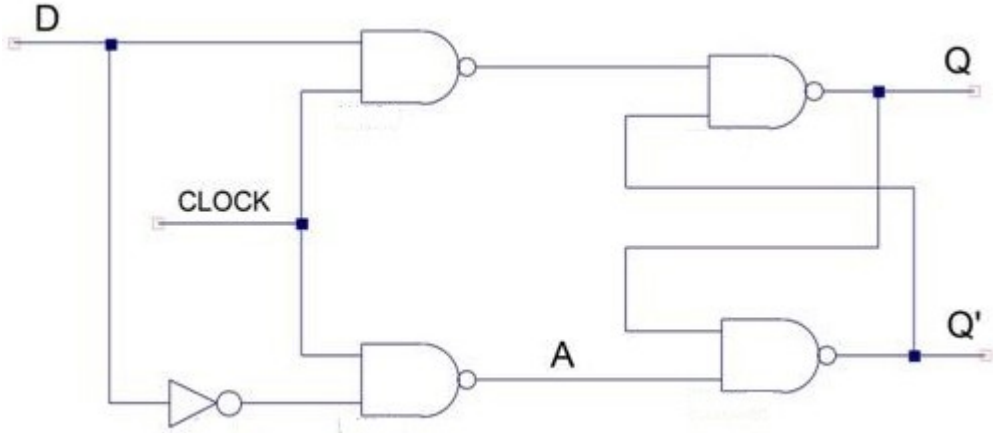


Problem 36: Consider the circuit given in the figure below. Assume that the propagation delays of a NAND gate and of an inverter are both 1 ns.

(a) By tracing the signal values through the circuit, complete the timing diagram, which shows the signal values with 1 ns. resolution.



(b) What does this circuit do? Explain in words.