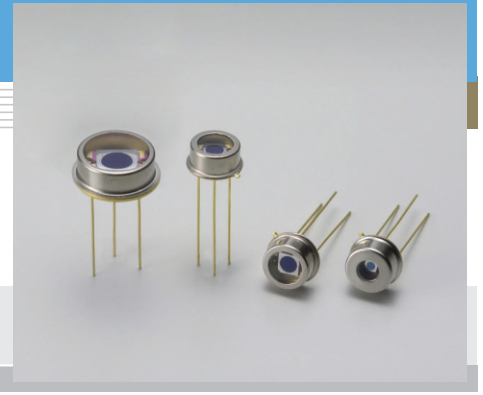


Si PIN photodiode S3071, S3072, S3399, S3883

Large area, high-speed Si PIN photodiodes



S3071, S3072, S3399 and S3883 are Si PIN photodiodes having a relatively large active area from $\phi 1.5$ to $\phi 5.0$ mm yet they offer excellent frequency response from 40 to 300 MHz. These photodiodes are suitable for spatial light transmission and high-speed pulsed light detection.

Features

- Active area size
S3071: $\phi 5.0$ mm
S3072: $\phi 3.0$ mm
S3399: $\phi 3.0$ mm
S3883: $\phi 1.5$ mm
- Cut-off frequency
S3071: 40 MHz ($V_R=24$ V)
S3072: 45 MHz ($V_R=24$ V)
S3399: 100 MHz ($V_R=10$ V)
S3883: 300 MHz ($V_R=20$ V)
- High reliability: TO-5/8 metal package

Applications

- Spatial light transmission
- High-speed pulsed light detection

■ General ratings / Absolute maximum ratings

Type No.	Dimensional outline/ Window material *1	Package (mm)	Active area size (mm)	Effective active area (mm ²)	Absolute maximum ratings			
					Reverse voltage V_R Max. (V)	Power dissipation P (mW)	Operating temperature T_{opr} (°C)	Storage temperature T_{stg} (°C)
S3071	①/K	TO-8	$\phi 5.0$	19.6	50	50	-40 to +100	-55 to +125
S3072	②/K	TO-5	$\phi 3.0$	7.0				
S3399	③/K		$\phi 3.0$	7.0				
S3883	④/K		$\phi 1.5$	1.7	30			

■ Electrical and optical characteristics (Typ. $T_a=25$ °C, unless otherwise noted)

Type No.	Spectral response range λ (nm)	Peak sensitivity wavelength λ_p (nm)	Photo sensitivity S (A/W)				Short circuit current I_{sc} 100 lx (μ A)	Dark current I_D (nA)		Temp. coefficient of I_D T_{CID} (times/°C)	Cut-off frequency f_c $R_L=50 \Omega$ (MHz)	Terminal capacitance C_t $f=1$ MHz (pF)	NEP $\lambda=\lambda_p$ (W/Hz ^{1/2})
			λ_p	660 nm	780 nm	830 nm		Typ.	Max.				
S3071	320 to 1060	920	0.6	0.47	0.54	0.56	17	0.5 ^{*3}	10 ^{*3}	1.15	40 ^{*3}	18 ^{*3}	2.1 × 10 ⁻¹⁴ ^{*3}
S3072								0.3 ^{*3}	10 ^{*3}				
S3399	320 to 1000	840	0.6	0.45	0.58	0.6	5.6	0.1 ^{*4}	1.0 ^{*4}	1.12	100 ^{*4}	20 ^{*4}	9.4 × 10 ⁻¹⁵ ^{*4}
S3883								0.05 ^{*2}	1.0 ^{*2}				

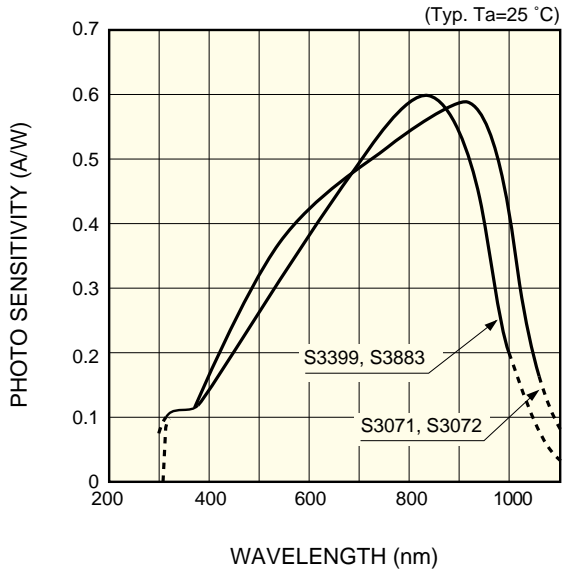
*1: Window material K: borosilicate glass

*2: $V_R=20$ V

*3: $V_R=24$ V

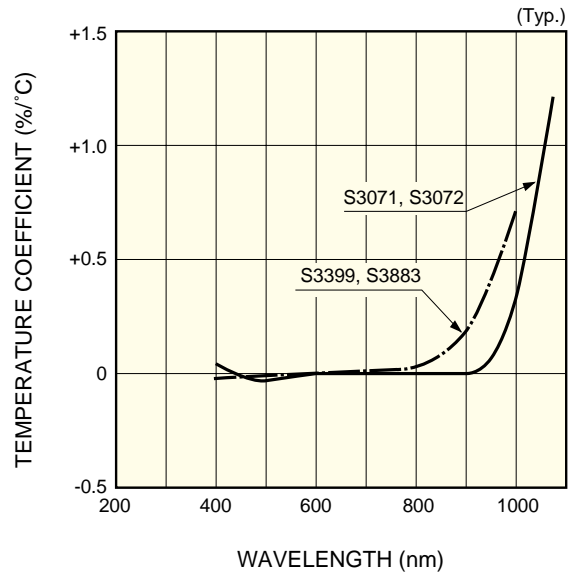
*4: $V_R=10$ V

■ Spectral response



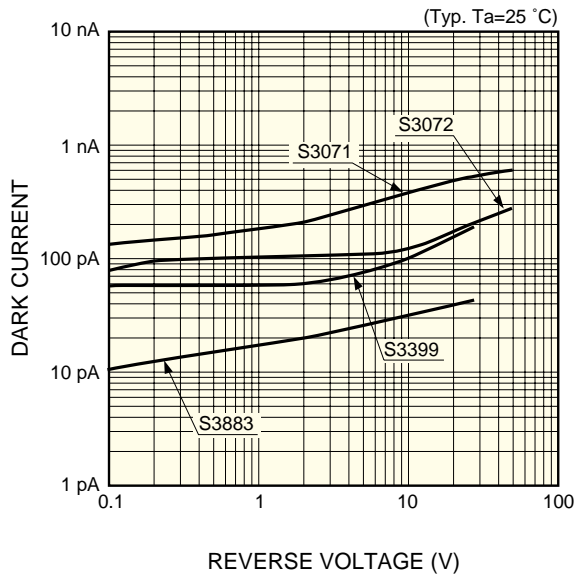
KPINB0147EA

■ Photo sensitivity temperature characteristics



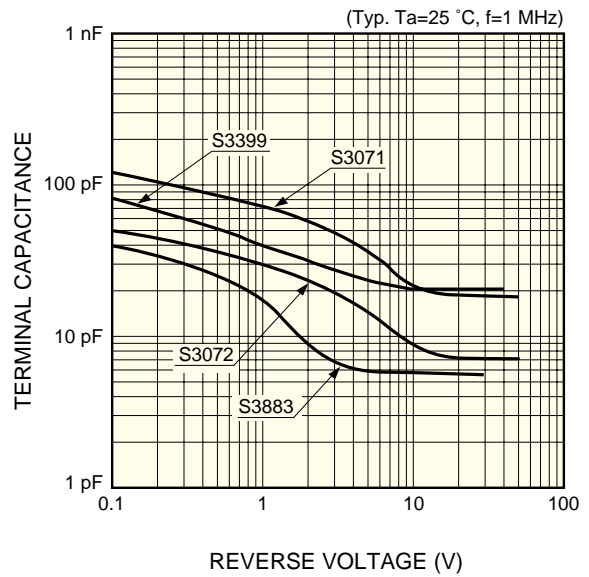
KPINB0148EA

■ Dark current vs. reverse voltage



KPINB0149EA

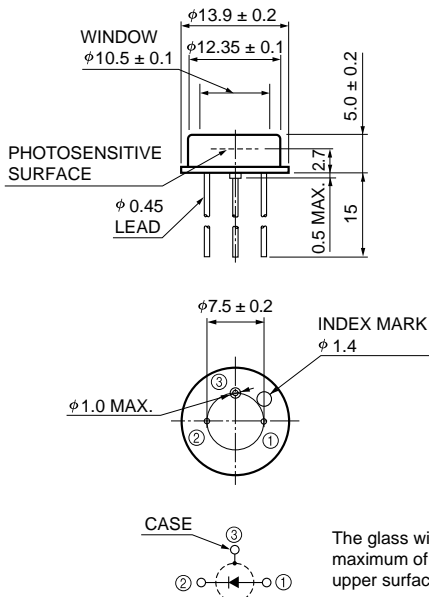
■ Terminal capacitance vs. reverse voltage



KPINB0150EA

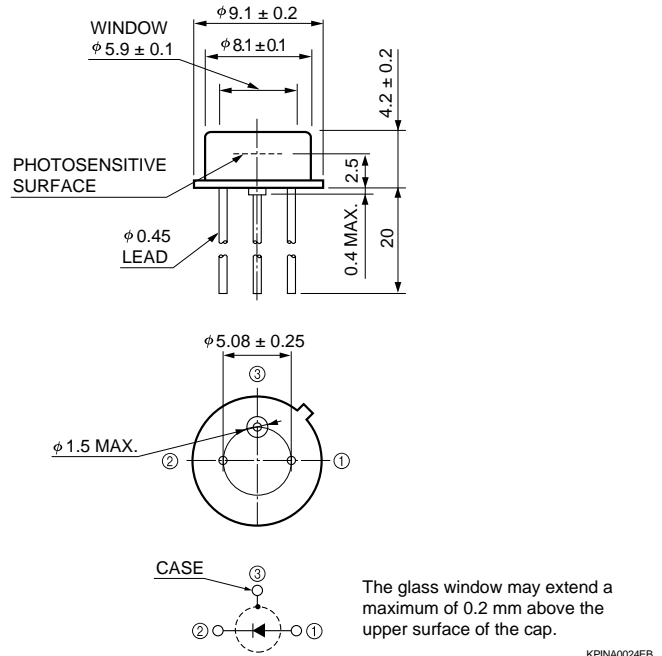
■ Dimensional outline (unit: mm)

① S3071



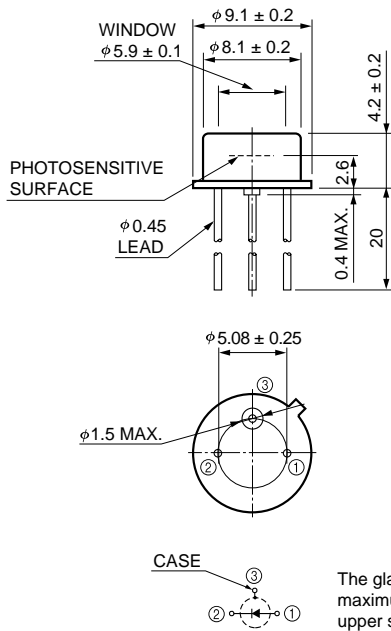
KPINA0027EC

② S3072



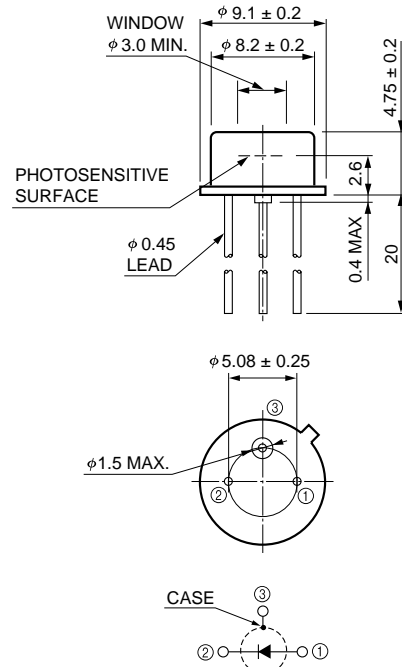
KPINA0024EB

③ S3399



KPINA0026EA

④ S3883



KPINA0025EB

HAMAMATSU

Information furnished by HAMAMATSU is believed to be reliable. However, no responsibility is assumed for possible inaccuracies or omissions. Specifications are subject to change without notice. No patent rights are granted to any of the circuits described herein. Type numbers of products listed in the specification sheets or supplied as samples may have a suffix "(X)" which means tentative specifications or a suffix "(Z)" which means developmental specifications. ©2009 Hamamatsu Photonics K.K.

HAMAMATSU PHOTONICS K.K., Solid State Division

1126-1 Ichino-cho, Higashi-ku, Hamamatsu City, 435-8558 Japan, Telephone: (81) 53-434-3311, Fax: (81) 53-434-5184, www.hamamatsu.com

U.S.A.: Hamamatsu Corporation: 360 Foothill Road, P.O.Box 6910, Bridgewater, N.J. 08807-0910, U.S.A., Telephone: (1) 908-231-0960, Fax: (1) 908-231-1218

Germany: Hamamatsu Photonics Deutschland GmbH: Arzbergerstr. 10, D-82211 Herrsching am Ammersee, Germany, Telephone: (49) 8152-375-0, Fax: (49) 8152-265-8

France: Hamamatsu Photonics France S.A.R.L.: 19, Rue du Saule Trapu, Parc du Moulin de Massy, 91882 Massy Cedex, France, Telephone: 33-(1) 69 53 71 00, Fax: 33-(1) 69 53 71 10

United Kingdom: Hamamatsu Photonics UK Limited: 2 Howard Court, 10 Tewin Road, Welwyn Garden City, Hertfordshire AL7 1BW, United Kingdom, Telephone: (44) 1707-294888, Fax: (44) 1707-325777

North Europe: Hamamatsu Photonics Norden AB: Smidesvägen 12, SE-171 41 Solna, Sweden, Telephone: (46) 8-509-031-00, Fax: (46) 8-509-031-01

Italy: Hamamatsu Photonics Italia S.R.L.: Strada della Moia, 1/E, 20020 Arese, (Milano), Italy, Telephone: (39) 02-935-81-733, Fax: (39) 02-935-81-741